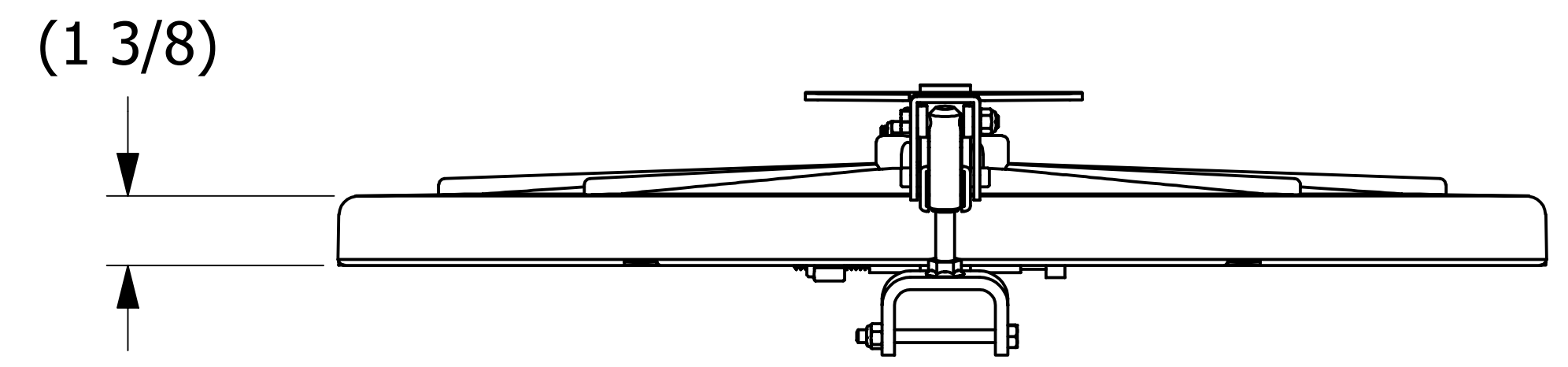
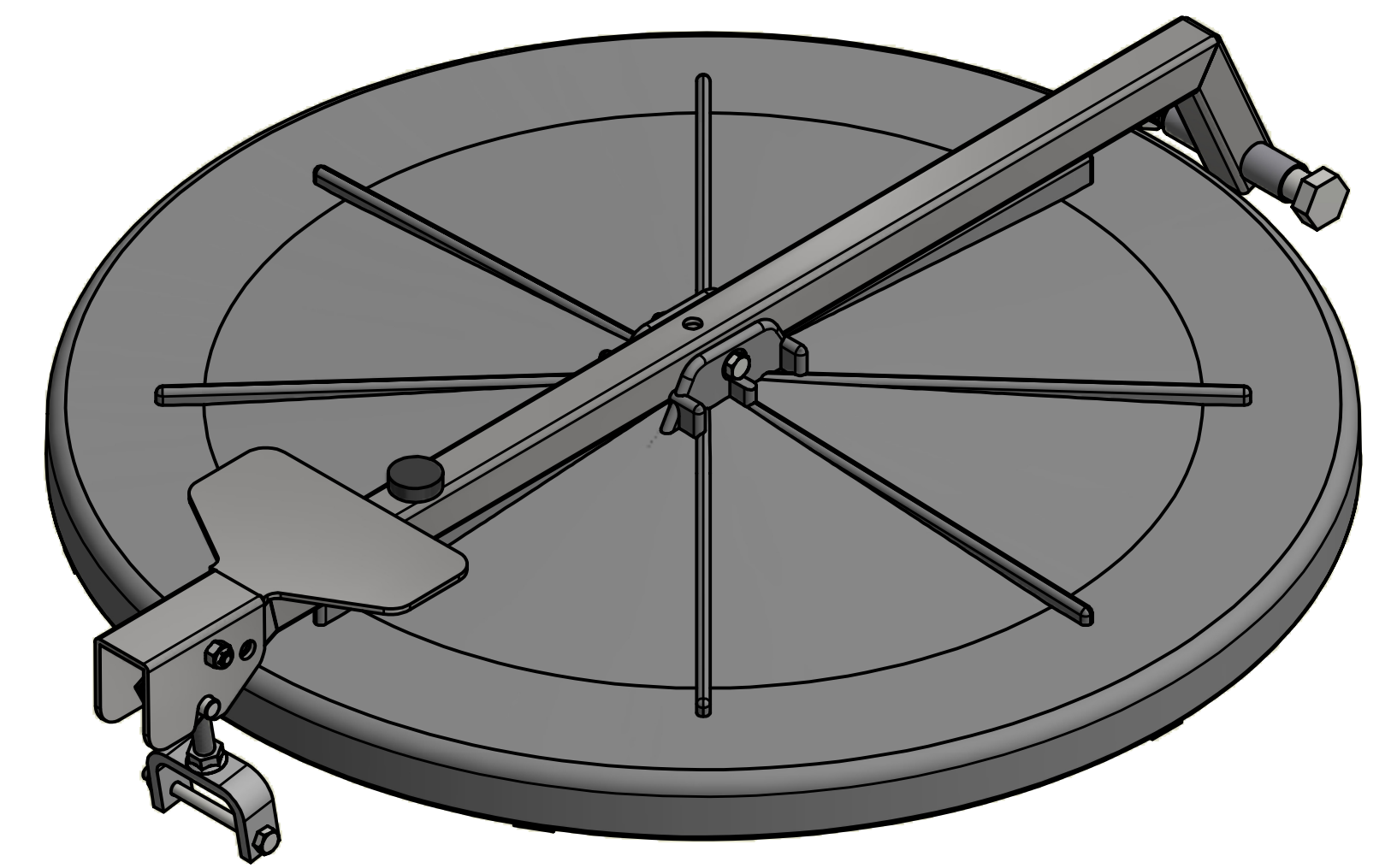
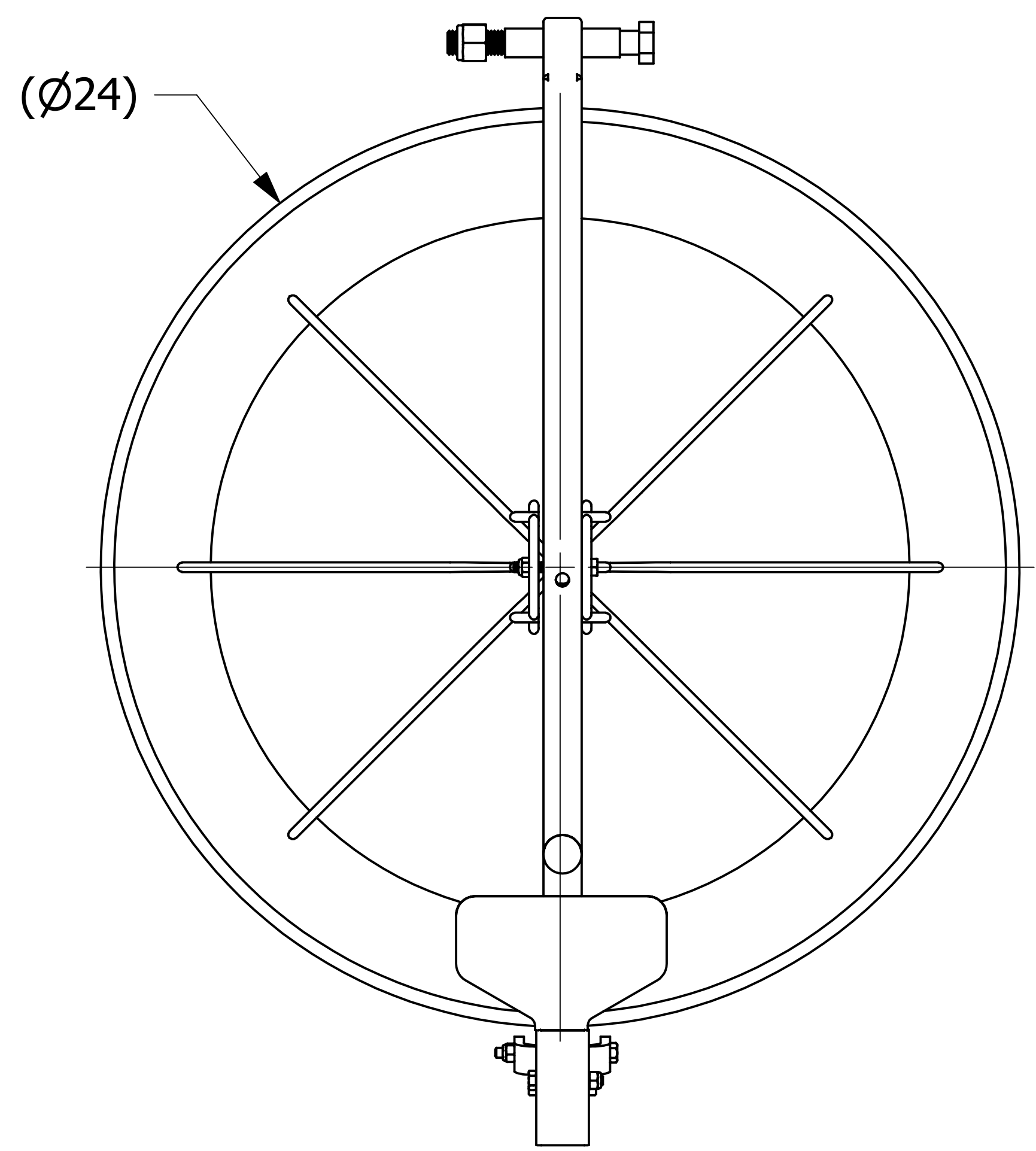
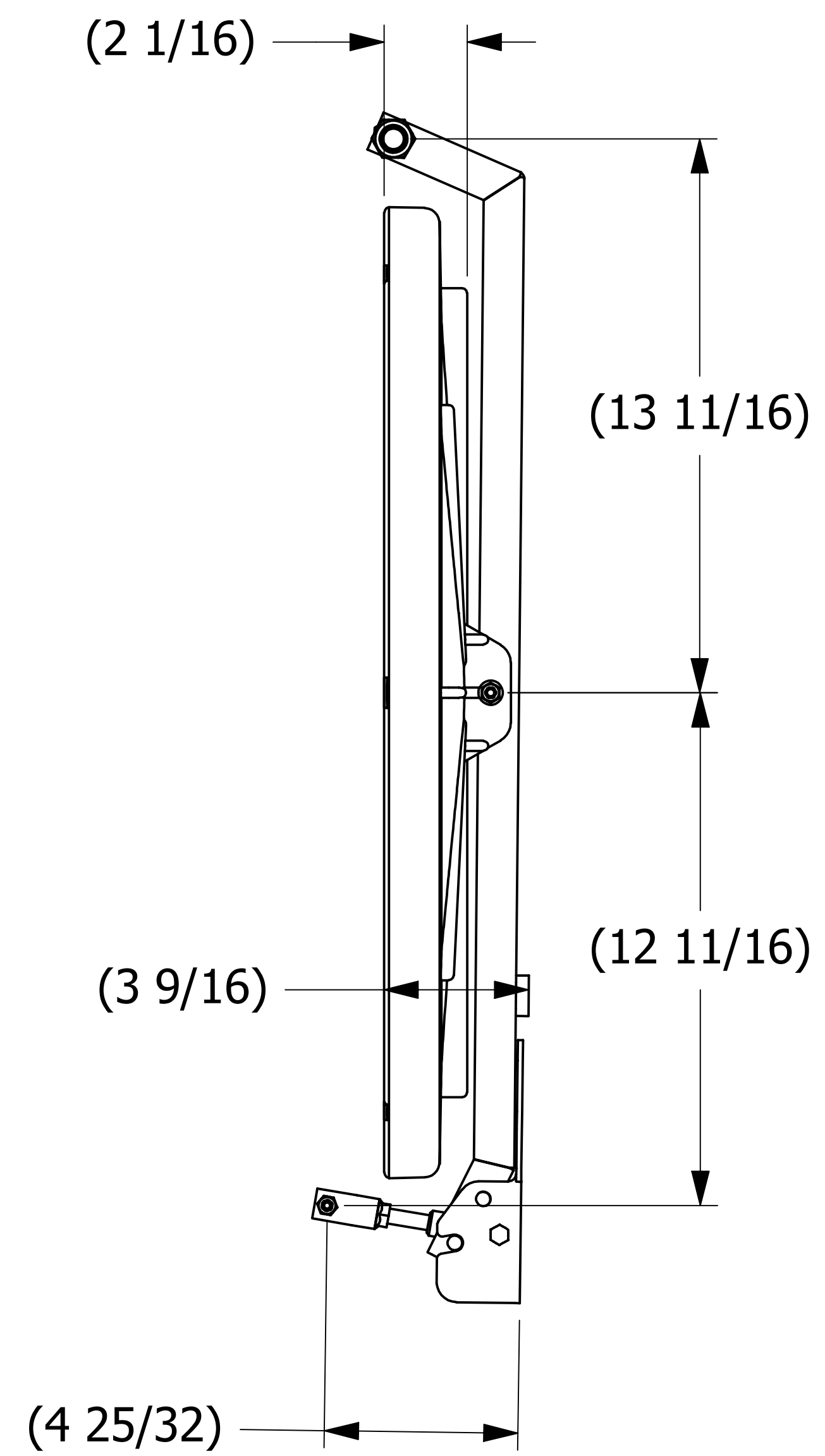
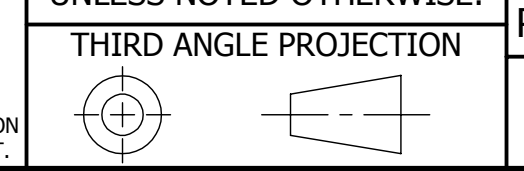


SALES DRAWING

SALES DRAWING



UNLESS OTHERWISE SPECIFIED
DIMENSIONAL TOLERANCES
FRACTIONAL: ±1/16
X.XX: ±.03
X.XXX: ±.015
ANGULAR: ±1°
DEBURR ALL SHARP EDGES.
ALL MACHINED SURFACES TO
HAVE A 125 RMS FINISH
UNLESS NOTED OTHERWISE.



DRAWN BY:	JG
CHECKED BY:	CHL
PROTOTYPE BY:	JG
PROTOTYPE DATE:	4/8/2015
APPROVED FOR PRODUCTION BY:	WEB
PRODUCTION DATE:	4/17/2015

A	WEB	4-17-15	RELEASED FOR PRODUCTION
REV	BY	DATE	DESCRIPTION
SALCO PRODUCTS, INC.			
PART NAME: COVER ASSEMBLY NONVENTED 20"			
MATERIAL: ABS/SS		PROJECT #: 140212T	SHEET #: 1 OF 1
DRAWING #: D41287		PART #: RSAHC20PMB	
		SCALE: 1:3	

THIS PRINT, PROPERTY OF SALCO PRODUCTS INC. CONTAINS PROPRIETARY INFORMATION AND MUST NOT BE COPIED, REPRODUCED, OR USED DETRIMENTALLY TO OUR INTEREST.